



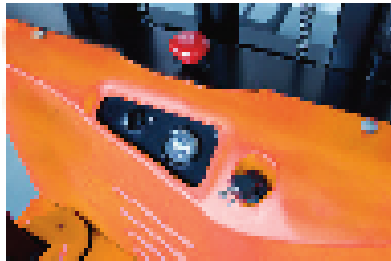
# 10/12ESM and 10/12ESD

Light Duty Stacker 1.0/2.0t  
The ideal choice for compact areas

# Ñ FEATURE

## Performance:

- Robust Structure
- Highly specialised drive and hydraulic system ensure excellent driving performance and high reliability.
- Low-noise and durable hydraulic unit, high quality cylinder as well as hose ensure high reliability of hydraulic system.
- AMP connector and durable electric wires greatly reduce malfunctions of components.
- Straddle Chassis option offers stability of high stack operation.



## Safety:

- Safety hydraulic design prevents mast from falling down abruptly when oil pipes cut off.
- Belly button prevents truck from hitting operator.
- By simply pressing emergency disconnect, power supply will be immediately interrupted.
- Multi lifting limited switch ensures travel safety.
- Truck automatically switches to low speed mode, when lifting height is higher than setting height.
- Anti-rolling back braking device ensures trucks don't roll back on ramps.

## Operation:

- Ergonomic tiller head for effortless and comfortable operations.
- Tiller with long arm for smooth steering.
- Compact chassis design offers smallest turning radius needed.
- Side operating ensures excellent visibility.
- On-board Charger.

## Maintenance:

- Maintenance-free Battery.
- Battery display indicator with hour meter, reminds operator of charging on time (optional).
- Easy Maintenance - detachable rear panel.
- Self-Diagnostics signal on the digital display allows easy trouble-shooting.
- Easy Access of Hand Set.
- Low-voltage Cut-off Protection.

## Distinguishing Mark

				10ESM	10ESD
1.2	Model designation			10ESM	10ESD
1.3	Drive unit			Electrics	Electrics
1.4	Operator type			Pedestrian	Pedestrian
1.5	Rated capacity	Q	kg	1000	1000
1.6	Load centre distance	c	mm	600	600
1.8	Load distance, centre of drive axle to fork	x	mm	850	845
1.9	Wheelbase	y	mm	1210	1290
<b>Weight</b>					
2.1	Service weight (include battery)		kg	543	625
2.2	Axle loading, laden driving side/loading side		kg	683/860	720/905
2.3	Axle loading, unladen driving side/loading side		kg	420/123	497/128
<b>Types, Chassis</b>					
3.1	Tyre type, driving wheels / loading wheels			PU / PU	PU / PU
3.2	Tyre size, driving wheels (diametre x width)		mm	210x70	210x70
3.3	Tyre size, loading wheels (diametre x width)		mm	100x50	100x50
3.4	Tyre size, caster wheels (diametre x width)		mm	100x50	100x50
3.5	Wheels, number driving, caster/loading (x=drive wheels)		mm	1 x + 1 / 4	1 x + 1 / 4
3.6	Track width, front, driving side	b <sub>10</sub>	mm	533	533
3.7	Track width, rear, loading side	b <sub>11</sub>	mm	1060/1160/1260/1360	1060/1160/1260/1360
<b>Dimensions</b>					
4.1	Tilt of mast/fork carriage forward/backward	α/β			
4.2	Height, mast lowered	h <sub>1</sub>	mm	1940	2053
4.3	Free lift	h <sub>2</sub>	mm	1407	
4.4	Lift height	h <sub>3</sub>	mm	1520	2930
4.5	Height, mast extended	h <sub>4</sub>	mm	2053	3895
4.6	Initial lift	h <sub>5</sub>	mm		
4.9	Height drawbar in driving position min./max.	h <sub>14</sub>	mm	860/1200	860/1200
4.10	Height of wheel arms	h <sub>8</sub>	mm	100	100
4.15	Lowered height	h <sub>13</sub>	mm	60	60
4.19	Overall length	l <sub>1</sub>	mm	1570	1650
4.20	Length to face of forks	l <sub>2</sub>	mm	500	580
4.21	Overall width	b <sub>1</sub> /b <sub>2</sub>	mm	1135/1235/1335/1435	1135/1235/1335/1435
4.22	Fork dimensions	s/e/l	mm	35/100/1070	35/100/1070
4.24	Fork carriage width	b <sub>3</sub>	mm	780	800
4.25	Distance between fork-arms	b <sub>5</sub>	mm	200 ~ 765	200 ~ 765
4.26	Distance between wheel arms	b <sub>4</sub>	mm	100	100
4.31	Ground clearance, laden, below mast	m <sub>1</sub>	mm		
4.32	Ground clearance, center of wheelbase	m <sub>2</sub>	mm	40	40
4.34.1	Aisle width for pallets 1000 x 1200 crossways	Ast	mm	2175	2255
4.34.2	Aisle width for pallets 800 x 1200 lengthways	Ast	mm	2100	2180
4.35	Turning radius	Wa	mm	1329	1404
<b>Performance data</b>					
5.1	Travel speed, laden/ unladen		km/h	4/4.5	4/4.5
5.2	Lifting speed, laden/ unladen		m/ s	0.12/0.22	0.12/0.22
5.3	Lowering speed, laden/ unladen		m/ s	0.12/0.11	0.12/0.11
5.8	Max. gradeability, laden/unladen		%	3/10	3/10
5.10	Service brake type			Electromagnetic	Electromagnetic
<b>Electric-engine</b>					
6.1	Drive motor rating S2 60min		kW	0.65	0.65
6.2	Lift motor rating at S3 15%		kW	2.2	2.2
6.3	The maximum allowed size battery		mm	270x180x230	325x180x230
6.4	Battery voltage/nominal capacity K5		V/Ah	2x12/85	2x12/105
6.5	Battery weight		kg	2x25	2x30
<b>Additional data</b>					
8.1	Type of drive control			DC	DC
10.5	Steering type			Mechanical	Mechanical
10.7	Sound pressure level at the driver's ear		dB(A)	74	74

1. The parameters in the table are of the standard model. For more information, please contact us.
2. The parameters are subject to change without notice.

## Distinguishing Mark

				12ESM	12ESD
1.2	Model designation			12ESM	12ESD
1.3	Drive unit			Electrics	Electrics
1.4	Operator type			Pedestrian	Pedestrian
1.5	Rated capacity	Q	kg	1200	1200
1.6	Load center distance	c	mm	600	600
1.8	Load distance, centre of drive axle to fork	x	mm	850	845
1.9	Wheelbase	y	mm	1210	1290
<b>Weight</b>					
2.1	Service weight ( include battery )		kg	543	676
2.2	Axle loading, laden driving side/loading side		kg	783/960	837/1039
2.3	Axle loading, unladen driving side/loading side		kg	420/123	549/127

## Types, Chassis

3.1	Tyre type, driving wheels / loading wheels			PU / PU	PU / PU
3.2	Tyre size, driving wheels (diametre x width)		mm	210x70	210x70
3.3	Tyre size, loading wheels (diametre x width)		mm	100x50	100x50
3.4	Tyre size, caster wheels (diametre x width)		mm	100x50	100x50
3.5	Wheels, number driving, caster/loading (x=drive wheels)		mm	1 x +1 / 4	1 x +1 / 4
3.6	Track width, front, driving side	b <sub>10</sub>	mm	533	533
3.7	Track width, rear, loading side	b <sub>11</sub>	mm	1060/1160/1260/1360	1060/1160/1260/1360

## Dimensions

4.1	Tilt of mast/fork carriage forward/backward	α/β			
4.2	Height, mast lowered	h <sub>1</sub>	mm	1940	2083
4.3	Free lift	h <sub>2</sub>	mm	1407	
4.4	Lift height	h <sub>3</sub>	mm	1520	2930
4.5	Height, mast extended	h <sub>4</sub>	mm	2053	3895
4.6	Initial lift	h <sub>5</sub>	mm		
4.9	Height drawbar in driving position min./max.	h <sub>14</sub>	mm	860/1200	860/1200
4.10	Height of wheel arms	h <sub>8</sub>	mm	100	
4.15	Lowered height	h <sub>13</sub>	mm	60	60
4.19	Overall length	l <sub>1</sub>	mm	1570	1650
4.20	Length to face of forks	l <sub>2</sub>	mm	500	580
4.21	Overall width	b <sub>1</sub> /b <sub>2</sub>	mm	1135/1235/1335/1435	1135/1235/1335/1435
4.22	Fork dimensions	s/e/l	mm	35/100/1070	35/100/1070
4.24	Fork carriage width	b <sub>3</sub>	mm	780	800
4.25	Distance between fork-arms	b <sub>5</sub>	mm	200~765	200~765
4.26	Distance between wheel arms	b <sub>4</sub>	mm	100	100
4.31	Ground clearance, laden, below mast	m <sub>1</sub>	mm		
4.32	Ground clearance, center of wheelbase	m <sub>2</sub>	mm	40	40
4.34.1	Aisle width for pallets 1000 x 1200 crossways	Ast	mm	2175	2255
4.34.2	Aisle width for pallets 800 x 1200 lengthways	Ast	mm	2100	2180
4.35	Turning radius	Wa	mm	1329	1404

## Performance data

5.1	Travel speed, laden/ unladen		km/h	4/4.5	4/4.5
5.2	Lifting speed, laden/ unladen		m/ s	0.12/0.22	0.12/0.22
5.3	Lowering speed, laden/ unladen		m/ s	0.12/0.11	0.12/0.11
5.8	Max. gradeability, laden/unladen		%	3/10	3/10
5.10	Service brake type			Electromagnetic	Electromagnetic

## Electric-engine

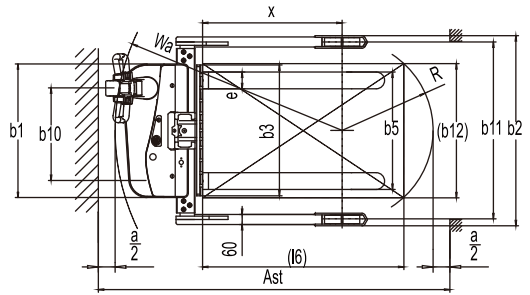
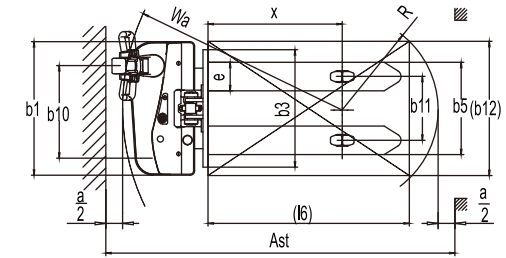
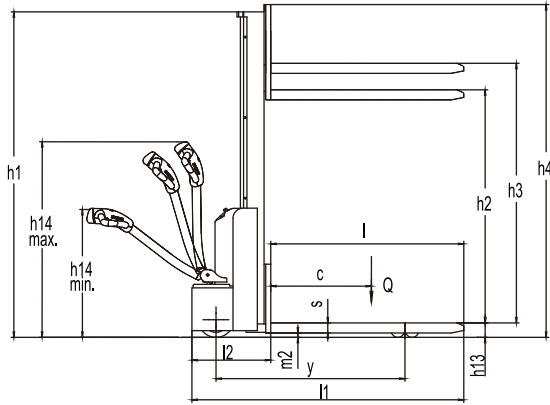
6.1	Drive motor rating S2 60min		kW	0.65	0.65
6.2	Lift motor rating at S3 15%		kW	2.2	2.2
6.3	The maximum allowed size battery		mm	270x180x230	325x180x230
6.4	Battery voltage/nominal capacity K5		V/Ah	2x12/85	2x12/105
6.5	Battery weight		kg	2x25	2x30

## Additional data

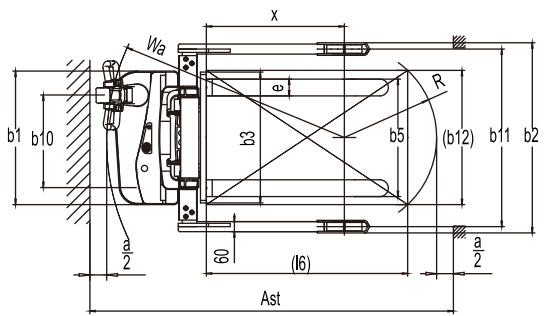
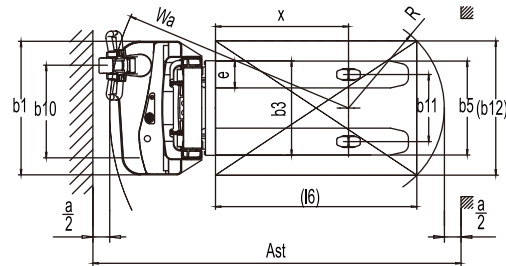
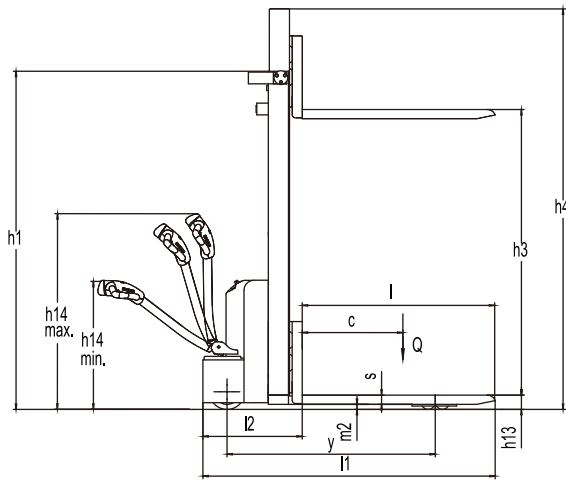
8.1	Type of drive control			DC	DC
10.5	Steering type			Mechanical	Mechanical
10.7	Sound pressure level at the driver's ear		dB(A)	74	74

1. The parameters in the table are of the standard model. For more information, please contact us.
2. The parameters are subject to change without notice.

10/12ESM

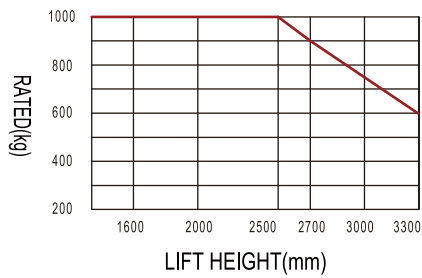


10/12ESD



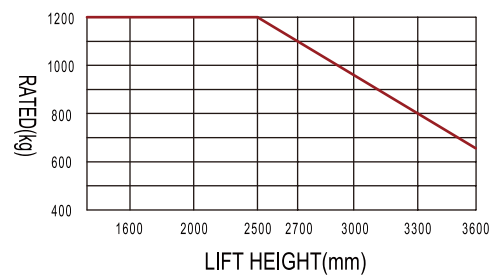
RATED CAPACITIES GRAPH

10ESM/ESD



RATED CAPACITIES GRAPH

12ESM/ESD



# Mast Options

## 10ESM / 12ESM

Mast Types	Lift h3+h13 (mm)	Lowered mast height h1 (mm)	Free lift h2 (mm)	Extended mast height h4 (mm)
Duplex Z7	1560	1940	1387	2053
	1910	2290	1737	2403

Mast Types	Lift h3+h13 (mm)	Lowered mast height h1 (mm)	Free lift h2 (mm)	Extended mast height h4 (mm)
Duplex Z7	1560	1940	1387	2053
	1910	2290	1737	2403

## 10ESD / 12ESD

Mast Types	Lift h3+h13 (mm)	Lowered mast height h1 (mm)	Free lift h2 (mm)	Extended mast height h4 (mm)
Duplex Z7	2470	1803	-	3395
	2670	1903	-	3595
	2970	2053	-	3895
	2910	2203	-	4195

Mast Types	Lift h3+h13 (mm)	Lowered mast height h1 (mm)	Free lift h2 (mm)	Extended mast height h4 (mm)
Duplex Z7	1160	1600	1110	1600
	1360	1800	1310	1800
	1560	2000	1510	2000
	1660	2100	1610	2100
	2470	1833		3395
	2670	1933		3595
	2970	2083		3895
	3270	2233		4195
	3570	2383		4495

## Options

Options	10ESM	12ESM
Fork width	¡ 685mm/600mm	¡ 685mm/600mm
Battery capacity	¡ 85AH/105AH/120AH	¡ 85AH/105AH/120AH
Special backrest	-	-
Battery indicator with hour meter	¡	¡
Driving wheel	¡ PU wheel with pattern	¡ PU wheel with pattern
Half speed function in turning	-	-
Mast screen	• organic glass	• organic glass
Height limitation	¡	¡

Note: | standard ¡ option - NA

Options	ES10-10mm	ES12-12MM
Fork width	¡ 685mm/600mm	¡ 685mm/600mm
Battery capacity	• 85AH	-
Special backrest	-	-
Battery indicator with hour meter	¡	¡
Driving wheel	¡ PU wheel with pattern	¡ PU wheel with pattern
Half speed function in turning	-	-
Mast screen	•	•
Height limitation	-	-

Note: | standard ¡ option - NA

Options	ES10-22DM	ES12-25DM
Fork width	-	-
Battery capacity	¡ 85AH/105AH/120AH	¡ 85AH/105AH/120AH
Special backrest	•	•
Battery indicator with hour meter	¡	¡
Driving wheel	¡ PU wheel with pattern	¡ PU wheel with pattern
Half speed function in turning	-	-
Mast screen	• organic glass	• organic glass
Height limitation	¡	¡

Note: | standard ¡ option - NA

Options	ES10-22MM	ES12-25MM
Fork width	-	-
Battery capacity	-	-
Special backrest	¡	¡
Battery indicator with hour meter	¡	¡
Driving wheel	¡ PU wheel with pattern	¡ PU wheel with pattern
Half speed function in turning	-	-
Mast screen	•	•
Height limitation	-	-

Note: | standard ¡ option - NA



Hyundai Tower, 394 Lane Cove Rd,  
Macquarie Park NSW 2113  
Phone: 1300 363 368  
[info@hyundai-forklifts.com.au](mailto:info@hyundai-forklifts.com.au)  
[hyundaimaterialhandling.com.au](http://hyundaimaterialhandling.com.au)